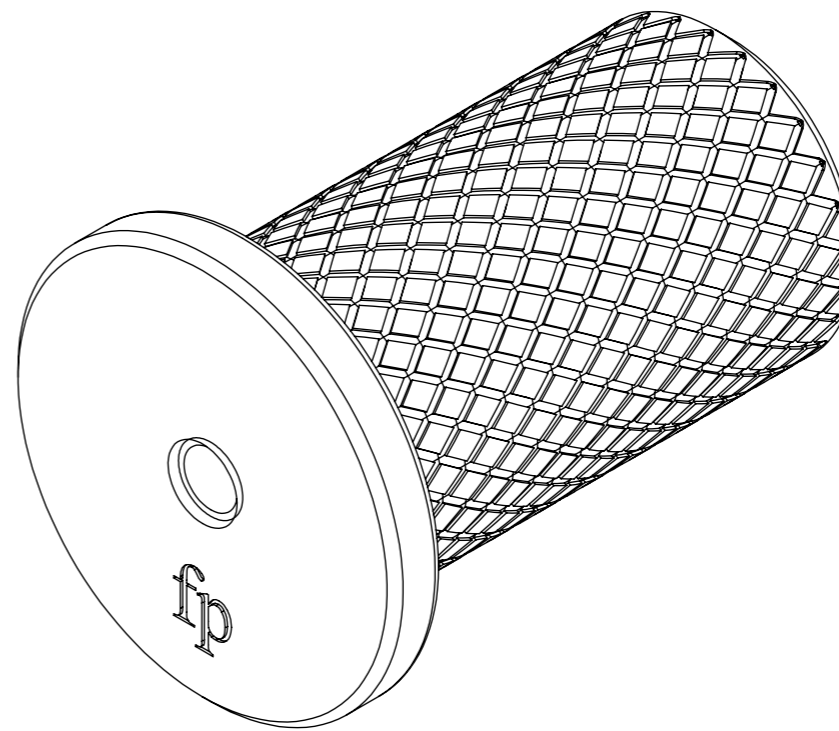
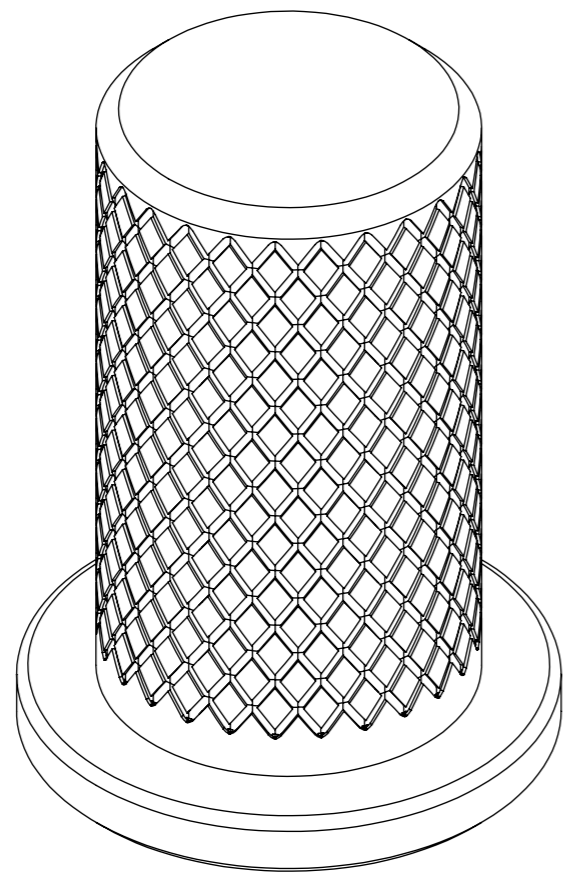


Rev.:	Date:	Name:	Description:
--	---	---	---
--	---	---	---
--	---	---	---
--	---	---	---

Part name: HARLEQUIN	Projection: 	Sheet format: A3	Tolerance unless otherwise specified DS/ISO 2768-1M Linear dimensions:														
Customer: xxx	Drawn by: IBL	Scale: 3:1															
Part no.: 240730XXX	Material: AISI 304	Sheet 1 of 2	<table border="1"> <tr> <td>0-3</td> <td>3-6</td> <td>6-30</td> <td>30-120</td> <td>120-400</td> <td>400-1000</td> <td>1000-2000</td> </tr> <tr> <td>±0,1</td> <td>±0,1</td> <td>±0,2</td> <td>±0,3</td> <td>±0,5</td> <td>±0,8</td> <td>±1,2</td> </tr> </table>	0-3	3-6	6-30	30-120	120-400	400-1000	1000-2000	±0,1	±0,1	±0,2	±0,3	±0,5	±0,8	±1,2
0-3	3-6	6-30	30-120	120-400	400-1000	1000-2000											
±0,1	±0,1	±0,2	±0,3	±0,5	±0,8	±1,2											
			<table border="1"> <tr> <td>Angle</td> <td>Radius</td> </tr> <tr> <td>±0,5°</td> <td>±5%</td> </tr> </table>	Angle	Radius	±0,5°	±5%										
Angle	Radius																
±0,5°	±5%																
			<p>furnipart®</p> <p>Delta 2 Phone: +45 87 64 35 00 DK-8382 Hinnerup E-mail: fp@furnipart.com</p>														
COPYRIGHT: THIS DRAWING MAY NOT BE COPIED OR REPRODUCED IN ANY WAY WITHOUT DIRECT PERMISSION FROM FURNIPART A/S																	



Rev.:	Date:	Name:	Description:
--	---	---	---
--	---	---	---
--	---	---	---
--	---	---	---

Part name: HARLEQUIN	Projection: 	Sheet format: A3	Tolerance unless otherwise specified DS/ISO 2768-1M Linear dimensions: <table border="1"> <tr> <td>0-3</td> <td>3-6</td> <td>6-30</td> <td>30-120</td> <td>120-400</td> <td>400-1000</td> <td>1000-</td> </tr> <tr> <td>±0,1</td> <td>±0,1</td> <td>±0,2</td> <td>±0,3</td> <td>±0,5</td> <td>±0,8</td> <td>±1,2</td> </tr> </table>	0-3	3-6	6-30	30-120	120-400	400-1000	1000-	±0,1	±0,1	±0,2	±0,3	±0,5	±0,8	±1,2
0-3	3-6	6-30		30-120	120-400	400-1000	1000-										
±0,1	±0,1	±0,2	±0,3	±0,5	±0,8	±1,2											
Customer: XXX	Drawn by: IBL	Scale: 3:1	<table border="1"> <tr> <td>Angle</td> <td>Radius</td> </tr> <tr> <td>±0,5°</td> <td>±5%</td> </tr> </table>	Angle	Radius	±0,5°	±5%										
Angle	Radius																
±0,5°	±5%																
Part no.: 240730XXX	Sheet 2 of 2	Material: AISI 304	furnipart® Delta 2 Phone: +45 87 64 35 00 DK-8382 Hinnerup E-mail: fp@furnipart.com														
Material: AISI 304	Weight: 63.43	COPYRIGHT: THIS DRAWING MAY NOT BE COPIED OR REPRODUCED IN ANY WAY WITHOUT DIRECT PERMISSION FROM FURNIPART A/S															